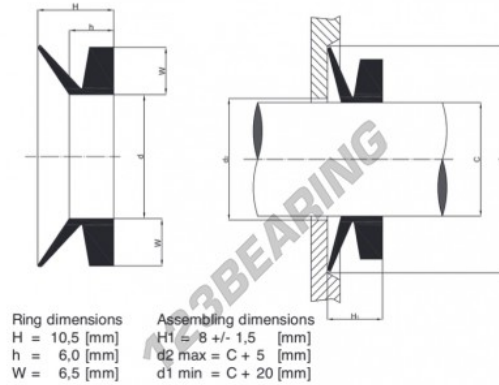


V-ring seal VL650-NBR - VL650-NBR

<https://www.123bearing.co.uk/seals/seal/v-ring/vl650-nbr>



Ring dimensions
 H = 10,5 [mm]
 h = 6,0 [mm]
 W = 6,5 [mm]

Assembling dimensions
 H1 = 8 +/- 1,5 [mm]
 d2 max = C + 5 [mm]
 d1 min = C + 20 [mm]

Reference	Shaft diameter	d (mm)
VL 650	625 - 675	600

PRODUCT FEATURES

Brand	GEN
Shaft diameter	650 mm
Material	NBR
Type	VL
Packaging	1

contact@123bearing.co.uk

02038 087 274

CRT4 de Lesquin 60 Rue Du Haut De Sainghin 59273 Fretin FRANCE