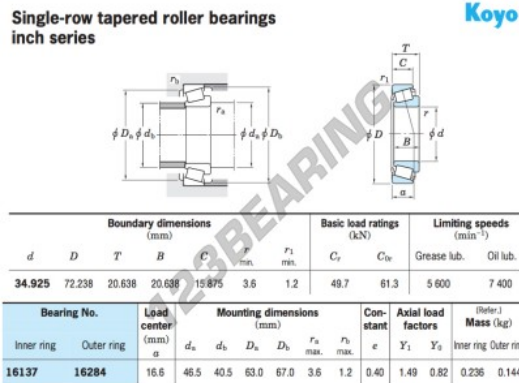


Tapered roller bearing 16137-16284-JTEKT - 16137-16284-JTEKT

<https://www.123bearing.co.uk/bearing-housing/roller-bearing/tapered/16137-16284-jtekt>



PRODUCT FEATURES

Brand	JTEKT
N° Ean13	3663952426310
Inside diameter	34.925 mm
Outside diameter	72.238 mm
Thickness	20.638 mm
Packaging	1

contact@123bearing.co.uk

02038 087 274

CRT4 de Lesquin 60 Rue Du Haut De Sainghin 59273 Fretin FRANCE