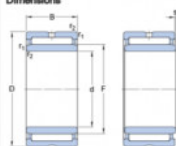
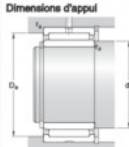


Needle roller bearing NKI35-20-YN-SKF - NKI35-20-YN-SKF

<https://www.123bearing.co.uk/bearing-housing/needle-roller-bearing/needle/nki35-20-yn-skf>

Dimensions																			
	<table border="1"> <tr><td>d</td><td>35</td><td>mm</td></tr> <tr><td>D</td><td>50</td><td>mm</td></tr> <tr><td>B</td><td>20</td><td>mm</td></tr> <tr><td>F</td><td>40</td><td>mm</td></tr> <tr><td>r_{1,2}</td><td>min. 0.3</td><td>mm</td></tr> <tr><td>s</td><td>max. 0.5</td><td>mm</td></tr> </table>	d	35	mm	D	50	mm	B	20	mm	F	40	mm	r _{1,2}	min. 0.3	mm	s	max. 0.5	mm
d	35	mm																	
D	50	mm																	
B	20	mm																	
F	40	mm																	
r _{1,2}	min. 0.3	mm																	
s	max. 0.5	mm																	
Dimensions d'appui																			
	<table border="1"> <tr><td>D₁</td><td>min. 37</td><td>mm</td></tr> <tr><td>D₂</td><td>max. 48</td><td>mm</td></tr> <tr><td>D₃</td><td>max. 0.3</td><td>mm</td></tr> </table>	D ₁	min. 37	mm	D ₂	max. 48	mm	D ₃	max. 0.3	mm									
D ₁	min. 37	mm																	
D ₂	max. 48	mm																	
D ₃	max. 0.3	mm																	
Données de calcul																			
Charge dynamique de base	C 29.7 kN																		
Charge statique de base	C ₀ 60 kN																		
Limite de fatigue	P _u 7.5 kN																		
Vitesse de référence	10000 r/min																		
Vitesse limite	11000 r/min																		
Masse																			
Masse du roulement	0.12 kg																		

PRODUCT FEATURES

Brand	SKF
N° Ean13	3616060817143
Inside diameter	35 mm
Outside diameter	50 mm
Thickness	20 mm
Limiting speed	11000 rpm
Dynamic load	29.7 kN
Static load	60 kN
Packaging	1

contact@123bearing.co.uk

02038 087 274

CRT4 de Lesquin 60 Rue Du Haut De Sainghin 59273 Fretin FRANCE