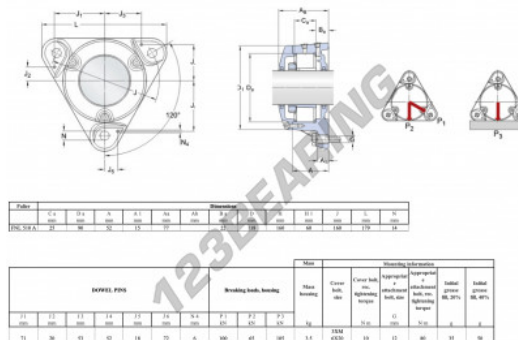


Housed bearing 3 bolts FNL-510-A-SKF - FNL-510-A-SKF

<https://www.123bearing.co.uk/bearing-housing/housed-bearing/cast-iron-housed-bearing-3/fnl-510-a-skf>



PRODUCT FEATURES

Brand	SKF
N° Ean13	7316572868683
Shaft diameter	45 mm
No. of fasteners	3
Tightening	Clamping sleeve
Mounting center distance	160 mm
Material	cast iron
Weight	3500 g
Packaging	1

contact@123bearing.co.uk
 02038 087 274
 CRT4 de Lesquin 60 Rue Du Haut De Sainghin 59273 Fretin FRANCE