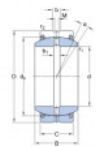
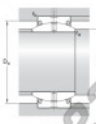


## GEZ Rod end

### GEZ-208-ES-2RS-SKF - GEZ-208-ES-2RS-SKF

<https://www.123bearing.co.uk/bearing-housing/rod-end/gez/gez-208-es-2rs-skf>

<p><b>Dimensions</b></p> 	<table border="1"> <tr><td>d</td><td>63.5</td><td>mm</td></tr> <tr><td>D</td><td>100.013</td><td>mm</td></tr> <tr><td>B</td><td>55.55</td><td>mm</td></tr> <tr><td>C</td><td>47.625</td><td>mm</td></tr> <tr><td>d<sub>1</sub></td><td>6</td><td>"</td></tr> <tr><td>d<sub>2</sub></td><td>91.155</td><td>mm</td></tr> <tr><td>b</td><td>9</td><td>mm</td></tr> <tr><td>b<sub>1</sub></td><td>6</td><td>mm</td></tr> <tr><td>M</td><td>6.5</td><td>mm</td></tr> <tr><td>R</td><td>0.6</td><td>mm</td></tr> <tr><td>C</td><td>max. 1</td><td>mm</td></tr> </table>	d	63.5	mm	D	100.013	mm	B	55.55	mm	C	47.625	mm	d <sub>1</sub>	6	"	d <sub>2</sub>	91.155	mm	b	9	mm	b <sub>1</sub>	6	mm	M	6.5	mm	R	0.6	mm	C	max. 1	mm
d	63.5	mm																																
D	100.013	mm																																
B	55.55	mm																																
C	47.625	mm																																
d <sub>1</sub>	6	"																																
d <sub>2</sub>	91.155	mm																																
b	9	mm																																
b <sub>1</sub>	6	mm																																
M	6.5	mm																																
R	0.6	mm																																
C	max. 1	mm																																
<p><b>Dimensions d'appui</b></p> 	<table border="1"> <tr><td>d<sub>3</sub></td><td>min. 68.3</td><td>mm</td></tr> <tr><td>d<sub>4</sub></td><td>max. 72.3</td><td>mm</td></tr> <tr><td>D<sub>3</sub></td><td>max. 87</td><td>mm</td></tr> <tr><td>D<sub>4</sub></td><td>max. 94.7</td><td>mm</td></tr> <tr><td>r<sub>3</sub></td><td>max. 0.6</td><td>mm</td></tr> <tr><td>r<sub>4</sub></td><td>max. 1</td><td>mm</td></tr> </table>	d <sub>3</sub>	min. 68.3	mm	d <sub>4</sub>	max. 72.3	mm	D <sub>3</sub>	max. 87	mm	D <sub>4</sub>	max. 94.7	mm	r <sub>3</sub>	max. 0.6	mm	r <sub>4</sub>	max. 1	mm															
d <sub>3</sub>	min. 68.3	mm																																
d <sub>4</sub>	max. 72.3	mm																																
D <sub>3</sub>	max. 87	mm																																
D <sub>4</sub>	max. 94.7	mm																																
r <sub>3</sub>	max. 0.6	mm																																
r <sub>4</sub>	max. 1	mm																																
<p><b>Données de calcul</b></p> <p>Charge dynamique de base</p> <p>Charge statique de base</p> <p>Facteur de charge dynamique spécifique</p> <p>Facteur de charge statique spécifique</p> <p>Constante de matériau</p> <p><b>Masse</b></p> <p>Masse de la rotule</p>	<table border="1"> <tr><td>C</td><td>345</td><td>kN</td></tr> <tr><td>C<sub>0</sub></td><td>1040</td><td>kN</td></tr> <tr><td>K</td><td>100</td><td>N/mm<sup>3</sup></td></tr> <tr><td>K<sub>0</sub></td><td>300</td><td>N/mm<sup>3</sup></td></tr> <tr><td>K<sub>10</sub></td><td>300</td><td></td></tr> <tr><td>Masse</td><td>1.85</td><td>kg</td></tr> </table>	C	345	kN	C <sub>0</sub>	1040	kN	K	100	N/mm <sup>3</sup>	K <sub>0</sub>	300	N/mm <sup>3</sup>	K <sub>10</sub>	300		Masse	1.85	kg															
C	345	kN																																
C <sub>0</sub>	1040	kN																																
K	100	N/mm <sup>3</sup>																																
K <sub>0</sub>	300	N/mm <sup>3</sup>																																
K <sub>10</sub>	300																																	
Masse	1.85	kg																																

## PRODUCT FEATURES

Brand	SKF
N° Ean13	7316576612343
Inside diameter	63.5 mm
Outside diameter	100.013 mm
Thickness	55.55 mm
Type	GEZ
Weight	1730 g
Thread	Right-hand thread
Lubrication	with
Dynamic load	345 kN
Static load	1040 kN
Packaging	1
Standard	No standard

[contact@123bearing.co.uk](mailto:contact@123bearing.co.uk)

02038 087 274

CRT4 de Lesquin 60 Rue Du Haut De Sainghin 59273 Fretin FRANCE