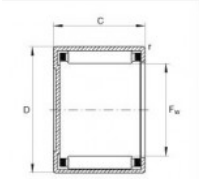


## Drawn cup roller bearing BCE1616-INA - BCE1616-INA

<https://www.123bearing.co.uk/bearing-housing/needle-roller-bearing/drawn-cup/bce1616-ina>



F <sub>w</sub>	1 inch
F <sub>w</sub>	25.4 mm
D	1.25 inch
D	31.75 mm
C	1 inch
C	25.4 mm
m	0.084 lbs masse
m	38 g masse
C <sub>r</sub>	5600 lbf charge dyn. de base, radiale
C <sub>r</sub>	24900 N charge dyn. de base, radiale
C <sub>0r</sub>	10200 lbf charge statique de base, radiale
C <sub>0r</sub>	45500 N charge statique de base, radiale
n <sub>3</sub>	10100 1/min vitesse limite
n <sub>2</sub>	6900 1/min vitesse de base

### PRODUCT FEATURES

Brand	INA
N° Ean13	3663952087900
Inside diameter	25.4 mm
Outside diameter	31.75 mm
Thickness	25.4 mm
Weight	45 g
Packaging	1

[contact@123bearing.co.uk](mailto:contact@123bearing.co.uk)

02038 087 274

CRT4 de Lesquin 60 Rue Du Haut De Sainghin 59273 Fretin FRANCE