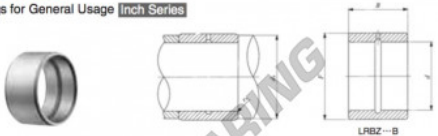


Inner ring LRBZ182220-B-IKO - LRBZ182220-B-IKO

<https://www.123bearing.co.uk/bearing-housing/needle-roller-bearing/inner-ring/lrbz182220-b-iko>

IKO
INNER RINGS
Inner Rings for General Usage Inch Series



Shaft dia. mm (inch)	Identification number		Mass (Ref.) g	Boundary dimensions mm(inch)			Standard mounting dimensions mm ^(*)		
				<i>d</i>	<i>F</i>	<i>B</i>	<i>d</i> _s Min.	<i>d</i> _s Max.	<i>r</i> _{as} max. Max.
28.575 (1 1/8")	—	LRBZ 182220 B	77	28.575 ± 0.010	34.925 ± 0.010	32.000	33.5	33.9	0.6
Assembled bearings									
BR 223020UU									

Note(*) Maximum allowable fillet corner radius of shaft.
Remark: LRBZ has no oil hole. LRB and LRBZ - B are provided with an oil groove and an oil hole.

PRODUCT FEATURES

Brand	IKO
N° Ean13	3663952420585
Inside diameter	28.575 mm
Inside diameter	1 1/8" inch
Outside diameter	34.925 mm
Outside diameter	1 3/8" inch
Thickness	32 mm
Thickness	1.26" inch
Packaging	1

contact@123bearing.co.uk

02038 087 274

CRT4 de Lesquin 60 Rue Du Haut De Sainghin 59273 Fretin FRANCE