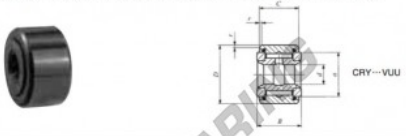


## Yoke type track roller CRY36-VUU-IKO - CRY36-VUU-IKO

<https://www.123bearing.co.uk/bearing-housing/roller-bearing/yoke-track-roller/cry36-vuu-iko>

**IKO**  
**ROLLER FOLLOWERS**  
Non-separable Roller Followers, Inch Series **Full Complement Type /With Inner Ring**



Shaft dia. mm (inch)	Identification number		Mass (Ref.)	Boundary dimensions: mm(inch)			
	Shield type Cylindrical outer ring	Sealed type Cylindrical outer ring		d	D	B	C
15.875 (5/8)	CRY 36 VUU		599	15.875 1/4	57.150 2 1/4	33.338 1.3125	31.750 1 1/4
		Shaft dia.			Basic dynamic load rating C		Basic static load rating C <sub>0</sub>
		Push fit		Drive fit		Press fit	
		Min.	Max.	Min.	Max.	Min.	Max.
36.0(1.417)	1.588 5/8	15.857	15.867	15.873	15.883	15.883	15.893
						45 700	80 600

Remarks: 1. The inner ring has an oil hole.  
2. Provided with prepacked grease.

## PRODUCT FEATURES

Brand	IKO
N° Ean13	3663952398228
Inside diameter	15.875 mm
Outside diameter	57.15 mm
Thickness	33.338 mm
Packaging	1

[contact@123bearing.co.uk](mailto:contact@123bearing.co.uk)

02038 087 274

CRT4 de Lesquin 60 Rue Du Haut De Sainghin 59273 Fretin FRANCE