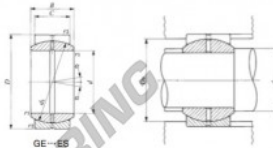


GE Rod end GE240ES-IKO - GE240ES-IKO

<https://www.123bearing.co.uk/bearing-housing/rod-end/ge/ge240es-iko>

IKO
SPHERICAL BUSHINGS
Steel-on-steel Spherical Bushings



Shaft dia. mm	Identification number		Mass (Ref.) kg	Boundary dimensions mm						Permissible tilting angle degree		
	Without seals	With seals		d	D	B	C	d _s	r ₁ (1)	r ₂ (1)	α	α ₁
240	GE 240ES		40.4	240	340	140	100	300	1.1	1.1	8	6
Mounting dimensions mm		Dynamic load capacity C _d		Static load capacity C _s								
d _s		D _s		N		N						
Min.	Max.(2)	Max.	Min.									
247	265	333	296	2 940 000		17 700 000						

Notes (1) Minimum allowable value of chamfer dimensions r₁ and r₂.
(2) When Spherical Bushings are used with full tilting angle, the shaft shoulder dimension must be less than the maximum value of d_s.
Remark 1. The inner ring and the outer ring have an oil groove and two oil holes, respectively.
2. Not provided with prepacked grease. Perform proper lubrication for use.

PRODUCT FEATURES

Brand	IKO
N° Ean13	3663952392110
Inside diameter	240 mm
Outside diameter	340 mm
Thickness	140 mm
Type	GE
Lubrication	without
Packaging	1

contact@123bearing.co.uk

02038 087 274

CRT4 de Lesquin 60 Rue Du Haut De Sainghin 59273 Fretin FRANCE