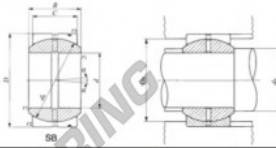


GE Rod end SB9515082-IKO - SB9515082-IKO

<https://www.123bearing.co.uk/bearing-housing/rod-end/ge/sb9515082-iko>

IKO
SPHERICAL BUSHINGS
Steel-on-steel Spherical Bushings



Shaft dia. mm	Identification number	Mass (Ref.) kg	Boundary dimensions mm						Permissible tilting angle degree α
			d	D	B	C	d _k	r ₁ mm ⁽¹⁾	
95	SB 9515082	6.05	95	150	82	70	140	0.6	5
Mounting dimensions mm		Dynamic load capacity C _d N	Static load capacity C _s N						
d _s Min.	d _s Max. ⁽²⁾		D _s Min.	D _s Max.	C _d	C _s			
99.5	113.5	145.5	130	961 000	5 770 000				

Notes:
⁽¹⁾ Minimum allowable value of chamfer dimensions r₁ and r₂.
⁽²⁾ When Spherical Bushings are used with full tilting angle, the shaft shoulder dimension must be less than the maximum value of d_s.
 Remark: The inner ring and the outer ring have an oil groove and two oil holes, respectively.
 2. Not provided with prepacked grease. Perform proper lubrication for use.

PRODUCT FEATURES

Brand	IKO
N° Ean13	3663952391519
Inside diameter	95 mm
Outside diameter	150 mm
Thickness	82 mm
Type	GE
Lubrication	without
Packaging	1

contact@123bearing.co.uk

02038 087 274

CRT4 de Lesquin 60 Rue Du Haut De Sainghin 59273 Fretin FRANCE