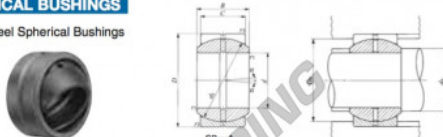


## GE Rod end SB95A-IKO - SB95A-IKO

<https://www.123bearing.co.uk/bearing-housing/rod-end/ge/sb95a-iko>

**IKO**  
**SPHERICAL BUSHINGS**  
Steel-on-steel Spherical Bushings



Shaft dia. mm	Identification number	Mass (Ref.) kg	Boundary dimensions mm					Permissible tilting angle degree		
			$d$	$D$	$B$	$C$	$d_k$ <sup>(1)</sup>			
95	<b>SB 95A</b>	6.05	95	150	82	70	140	0.6	5	
Mounting dimensions mm		Dynamic load capacity $C_d$ N	Static load capacity $C_s$ N							
$d_s$ Min.	Max. <sup>(2)</sup>		$D_s$ Min.							
99.5	113.5	145.5	130	961 000	5 770 000					

Notes: <sup>(1)</sup> Minimum allowable value of chamfer dimensions  $r_1$  and  $r_2$ .  
<sup>(2)</sup> When Spherical Bushings are used with full tilting angle, the shaft shoulder dimension must be less than the maximum value of  $d_s$ .  
Remark: 1. The inner ring and the outer ring have an oil groove and two oil holes, respectively.  
2. Not provided with prepacked grease. Perform proper lubrication for use.

## PRODUCT FEATURES

Brand	IKO
N° Ean13	3663952391502
Inside diameter	95 mm
Outside diameter	150 mm
Thickness	82 mm
Type	GE
Lubrication	without
Packaging	1

[contact@123bearing.co.uk](mailto:contact@123bearing.co.uk)

02038 087 274

CRT4 de Lesquin 60 Rue Du Haut De Sainghin 59273 Fretin FRANCE