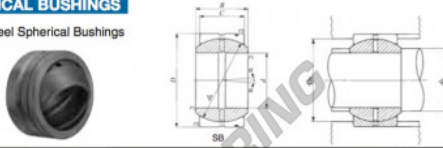


GE Rod end SB8013070-IKO - SB8013070-IKO

<https://www.123bearing.co.uk/bearing-housing/rod-end/ge/sb8013070-iko>

IKO
SPHERICAL BUSHINGS
Steel-on-steel Spherical Bushings



Shaft dia. mm	Identification number	Mass (Ref.) kg	Boundary dimensions mm						Permissible tilting angle degree
			d	D	B	C	d _k	r ₁ mm ⁽¹⁾	
80	SB 8013070	3.99	80	130	70	60	120	0.6	5
Mounting dimensions mm		Dynamic load capacity C _d N	Static load capacity C _s N						
d _s	D _s		C _d	C _s					
Min. Max. ⁽²⁾	Max. Min.	N	N						
84.5 97.5	125.5 112	706 000	4 240 000						

Notes⁽¹⁾ Minimum allowable value of chamfer dimensions r₁ and r₂.
⁽²⁾ When Spherical Bushings are used with full tilting angle, the shaft shoulder dimension must be less than the maximum value of d_s.
Remark: 1. The inner ring and the outer ring have an oil groove and two oil holes, respectively.
2. Not provided with prepacked grease. Perform proper lubrication for use.

PRODUCT FEATURES

Brand	IKO
N° Ean13	3663952391458
Inside diameter	80 mm
Outside diameter	130 mm
Thickness	70 mm
Type	GE
Lubrication	without
Packaging	1

contact@123bearing.co.uk

02038 087 274

CRT4 de Lesquin 60 Rue Du Haut De Sainghin 59273 Fretin FRANCE