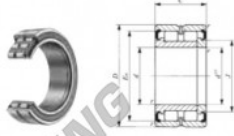


Needle roller bearing NAG4913-UU-IKO - NAG4913-UU-IKO

<https://www.123bearing.co.uk/bearing-housing/needle-roller-bearing/needle/nag4913-uu-iko>

IKO
ROLLER BEARINGS
Caged Roller Bearings **[With Seal]**
Full Complement Roller Bearings **[With Seal]**



NAG49-UU

Shaft dis. mm	Identification number			Mass (Ref.) g	Boundary dimensions mm				
	Full complement type	Caged type			d	D	C	r ⁽¹⁾ min	J
65	NAG 4913UU	—		455	65	90	25	1	72
<i>E_w</i>	Basic dynamic load rating C	Basic static load rating C ₀	Allowable rotational speed n ₂ rpm						
83	53 200	93 000	1 900						

Notes⁽¹⁾ Minimum allowable value of chamfer dimension r.
(*) Allowable rotational speed applies to grease lubrication. Considering that the axial load acts under practical operating conditions, up to 1/10 of this value is recommended for actual use.
Remarks: 1. The NAG and NAU series with a bore diameter, d, of 17 mm or less have no oil hole. In others, the outer ring has an oil groove and two oil holes.
2. The bearings with seals are provided with prepacked grease.

PRODUCT FEATURES

Brand	IKO
N° Ean13	3663952386270
Inside diameter	65 mm
Outside diameter	90 mm
Thickness	25 mm
Packaging	1

contact@123bearing.co.uk

02038 087 274

CRT4 de Lesquin 60 Rue Du Haut De Sainghin 59273 Fretin FRANCE