

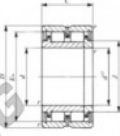


Needle roller bearing NAU4913-IKO - NAU4913-IKO

<https://www.123bearing.co.uk/bearing-housing/needle-roller-bearing/needle/nau4913-iko>



ROLLER BEARINGS
Caged Roller Bearings
Full Complement Roller Bearings

NAU49 TRU

Shaft dia. mm	Identification number		Mass (Ref.) g	Boundary dimensions mm					
	Full complement type	Caged type		d	D	C	r ⁽¹⁾ r _{s min}	J	E _w
65	—	NAU 4913	440	65	90	25	1	72	83
Basic dynamic load rating C	Basic static load rating C ₀	Allowable rotational speed ⁽²⁾							
N	N	rpm							
36 900	57 100	5 500							

Notes: (1) Minimum allowable value of chamfer dimension r
(2) Allowable rotational speed applies to grease lubrication.
Remark: This roller ring has an oil groove and an oil hole.
2. Bearings with seals on both sides are provided with prepacked grease. Bearings with a seal on one side are not provided with prepacked grease. Perform proper lubrication for use.

PRODUCT FEATURES

Brand	IKO
N° Ean13	3663952385518
Inside diameter	65 mm
Outside diameter	90 mm
Thickness	25 mm
Packaging	1

contact@123bearing.co.uk

02038 087 274

CRT4 de Lesquin 60 Rue Du Haut De Sainghin 59273 Fretin FRANCE