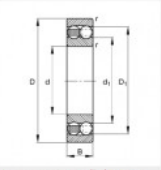


## Self aligning ball bearing 2220-M-FAG - 2220-M-FAG

<https://www.123bearing.co.uk/bearing-housing/deep-groove-bearing/sefl-aligning/2220-m-fag>

**Self-aligning ball bearings 2220-M**  
main dimensions to DIN 630



d	100 mm
D	180 mm
B	46 mm
D <sub>1</sub>	155.9 mm
D <sub>2max</sub>	168 mm
d <sub>1</sub>	124.4 mm
d <sub>2min</sub>	112 mm
r <sub>s,max</sub>	2.1 mm
r <sub>min</sub>	2.1 mm
m	5.25 kg Mass
C	85000 N Basic dynamic load rating, radial
e	0.27
Y <sub>0</sub>	2.33
Y <sub>1</sub>	3.61
C <sub>0</sub>	40000 N Basic static load rating, radial
Y <sub>2</sub>	2.44
n <sub>0</sub>	5600 1/min Limiting speed
n <sub>0</sub>	5400 1/min Reference speed
C <sub>10</sub>	2120 N Fatigue limit load, radial

### PRODUCT FEATURES

Brand	FAG
N° Ean13	3663952346892
Inside diameter	100 mm
Outside diameter	180 mm
Thickness	46 mm
Packaging	1

[contact@123bearing.co.uk](mailto:contact@123bearing.co.uk)

02038 087 274

CRT4 de Lesquin 60 Rue Du Haut De Sainghin 59273 Fretin FRANCE