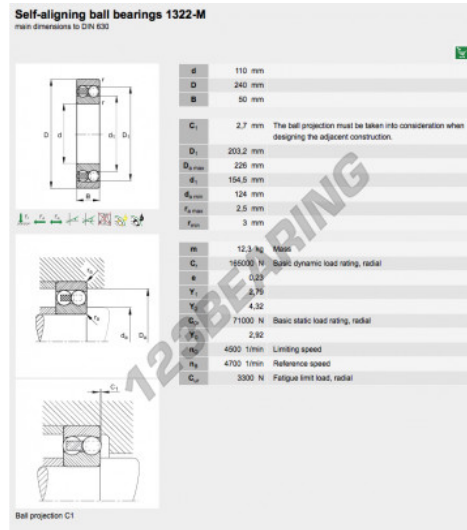


Self aligning ball bearing 1322-M-FAG - 1322-M-FAG

<https://www.123bearing.co.uk/bearing-housing/deep-groove-bearing/sefl-aligning/1322-m-fag>



PRODUCT FEATURES

Brand	FAG
N° Ean13	4012801472906
Inside diameter	110 mm
Outside diameter	240 mm
Thickness	50 mm
Limiting speed	4200 rpm
Weight	11800 g
Dynamic load	165 kN
Static load	72 kN
Packaging	1
Standard	No standard

contact@123bearing.co.uk

02038 087 274

CRT4 de Lesquin 60 Rue Du Haut De Sainghin 59273 Fretin FRANCE