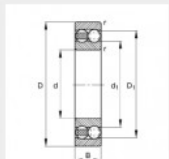


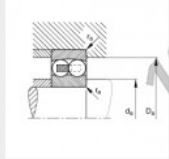
Self aligning ball bearing 1314-M-FAG - 1314-M-FAG

<https://www.123bearing.co.uk/bearing-housing/deep-groove-bearing/sefl-aligning/1314-m-fag>

Self-aligning ball bearings 1314-M
main dimensions to DIN 630



d	70 mm
D	150 mm
B	35 mm
D ₁	126.4 mm
D _{e,max}	138 mm
d ₁	97.7 mm
d _{2,min}	82 mm
f _{e,max}	2.1 mm
f _m	2.1 mm
m	3.22 kg Mass
C	75000 N Basic dynamic load rating, radial
s	0.23
Y ₁	2.79
Y ₂	4.32
C ₀	27000 N Basic static load rating, radial
Y ₀	2.93
n _L	7000 1/min Limiting speed
n _B	6900 1/min Reference speed
C ₁₀	1020 N Fatigue limit load, radial



PRODUCT FEATURES

Brand	FAG
N° Ean13	3663952346441
Inside diameter	70 mm
Outside diameter	150 mm
Thickness	35 mm
Packaging	1

contact@123bearing.co.uk

02038 087 274

CRT4 de Lesquin 60 Rue Du Haut De Sainghin 59273 Fretin FRANCE